

Discontinued since 27 April 2020

Last order 30 November 2020

INPUT: 100...240 V AC; 120...370 V DC

OUTPUT: 24...28 V DC

Current: 2.5 A

Spring clamp plug-in terminal: 0.2...2.5 mm²[Link to Product](#)**Illustration**

Product may differ from Image

Approvals**Input**

Input voltage	100...240 V AC/120...370 V DC
Input current	1.1 A (115 V AC); 0.63 A (230 V AC)
Inrush current after 1 ms	max. 60 A
Frequency	50...60 Hz
Primary fusing external	max. 16 A

Output

Output voltage	24 V DC (SELV), $\pm 1\%$; 24...28 V adjustable
Output current	2.5 A (+50 °C); 0.25 A (+70 °C)
Mains failure bridging time	10...25 ms (115 V AC)
Ripple	max. 20 mV eff/rms
Spikes	max. 100 mV ss/pp
Unit protection	short-circuit and overload protected
LED display	LED (green) for output voltage
Parallel usage/serial usage	max. 5 units/max. 2 units

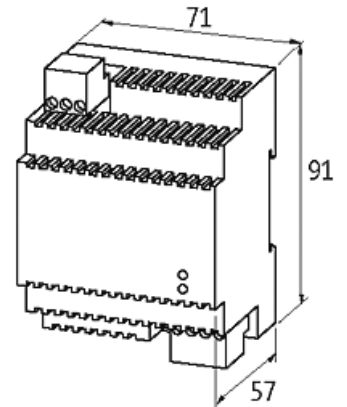
General data

Standards	EN 60950-1, EN 61204-3, EN 55022 B, EN 61000-3-2
Relative humidity	20...90%, no condensation

Protection	IP20
Efficiency	86% (110 V AC); 88% (230 V AC)
Mounting method	DIN-rail mountable TH35 (EN 60715)
Temperature range	0...+50 °C, ...+60 °C derating (storage temperature -25...+85 °C)

Commercial data

country of origin	CN
customs tariff number	85044090
EAN	4048879299909
eClass	27049002
Packaging unit	1

Sketch

Product may differ from Image